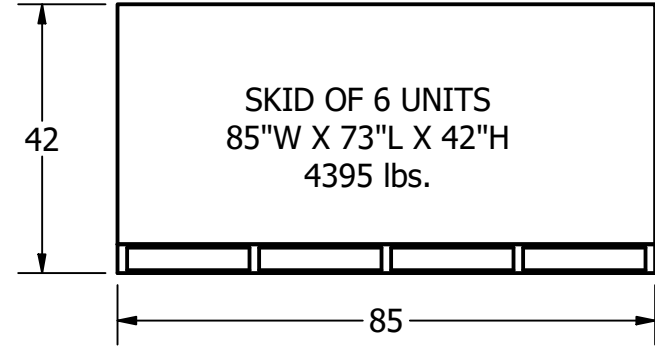


6 YARD ENDURO-TANK SPECS	
Lids	37" x 58" single wall plastic
Sides	14 gauge galvanized steel strengthened with rib reinforcements
Bottom	High Density Polyethylene, 3/8" nominal thickness
Weight	617 lbs.
Color	Silver G90 galvanized finish
Hardware	Galvanized



THIS PRINT IS THE PROPERTY OF HIWASTE MFG. THIS DRAWING REPRESENTS A PROPRIETARY ARTICLE(S) IN WHICH RETAINS ALL AND ANY RIGHTS, PATENT(S) OR OTHERWISE, TO INCLUDE EXCLUSIVE RIGHTS TO USE, MANUFACTURE, AND/OR SELL. POSSESSION OF THIS PRINT DOES NOT CONVEY ANY PERMISSION TO REPRODUCE PRINT OR MANUFACTURE THE ARTICLE(S) SHOWN HERE-IN. SUCH PERMISSION MAY ONLY BE GRANTED BY SPECIFIC AUTHORIZATION IN WRITING, SIGNED BY AN AUTHORIZED AGENT OF HIWASTE MFG. SPECIFICATIONS MAY NOT BE ALTERED OR SUBSTITUED WITHOUT WRITTEN APPROVAL FROM HIWASTE MFG.

DRAWN TJB	6/7/2024	HIWASTE MFG.	
APPROVED			
TOLERANCES UNLESS SPECIFIED UNITS = INCHES X.X ± 0.1 X.XX ± 0.06 X.XXX ± 0.030 X.XXXX ± 0.0010 FRACTIONS ± 1/16 ANGLES ± 0.5°		TITLE	
		6 YARD ENDUROTANK SPEC SHEET	
		SIZE B	DWG NO
SCALE		SHEET 1 OF 1	