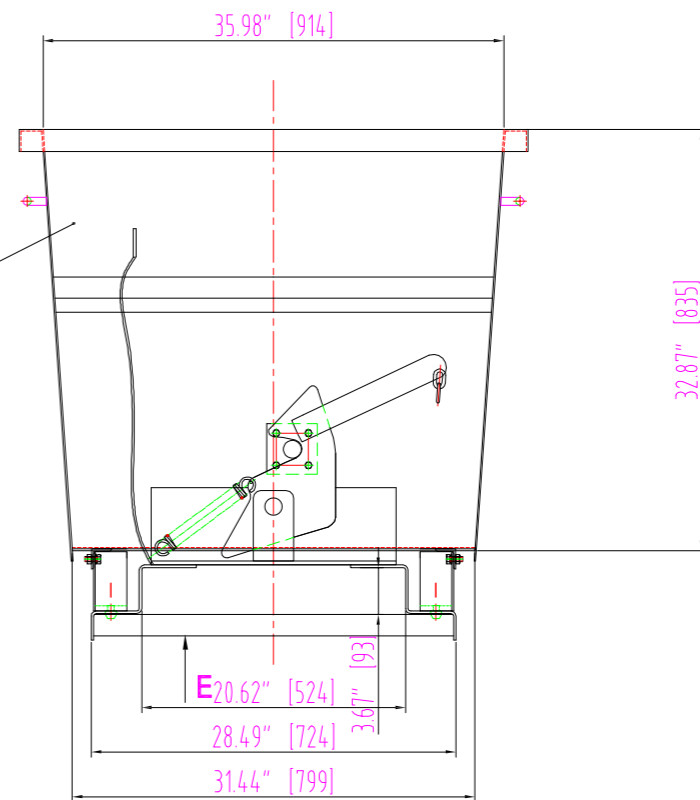
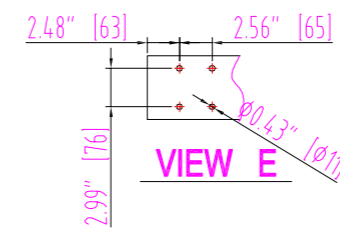
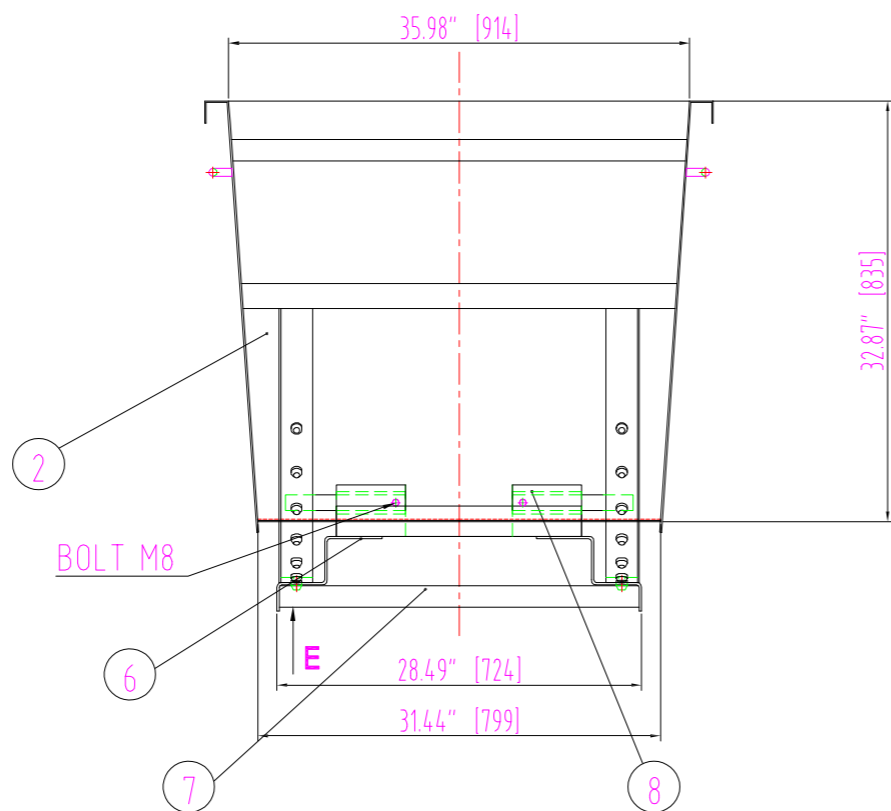


VIEW A



VIEW B

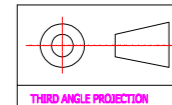


VIEW D

9	L-shaped channel	8mm	Q235
8	L-shaped channel	5mm	Q235
7	wheel pad	5mm	Q235
6	vertical channel	5mm	Q235
5	rocker arc roller	10mm	Q235
4	rocker steel plate	3mm	Q235
3	side steel plate	3mm	Q235
2	platform steel plate	3mm	Q235
1	back-base steel plate	3mm	Q235
ITEM	DESCRIPTION		MATERIAL

Parts list

DRAWN	XJ	HIWASTE, MFG <small>CONFIDENTIAL PROPERTY OF HWM THIS DRAWING AND ALL OF THE INFORMATION CONTAINED HEREIN IS THE SOLE PROPERTY OF HIWASTE MFG. AND IS ONLY TO BE VIEWED, COPIED, SHARED OR TRANSMITTED BY AUTHORIZED PARTIES</small>	TP007-004		B	
DATE	JAN,26TH,2024		SCALE	SHEET NO	A3	
CHECKED			NTS	1 of 1		
APPROVED			FILENAME			
DESIGN ENG.		160G Ahui St. Honolulu, HI 96813 (808) 478-2613 info@hiwastemfg.com www.hiwastemfg.com		1YD TIPPING BIN		



THIRD ANGLE PROJECTION