

3	front wall	4mm		Q235	
2	side walls	5mm		Q235	
1	floor	5mm		Q235	
ITEM	DESCRIPTION	LENGTH	MATERIAL	QTY	

9	door frame	RHS 100x80x4		Q235	
8	top rail	RHS 100x80x5		Q235	
7	corner post	RHS 160x80x5		Q235	
6	cross member	PFC 80x43		Q235	
5	bottom rail	RHS 150x50x5		Q235	
4	door wall	4mm		Q235	
ITEM	DESCRIPTION	LENGTH	MATERIAL	QTY	

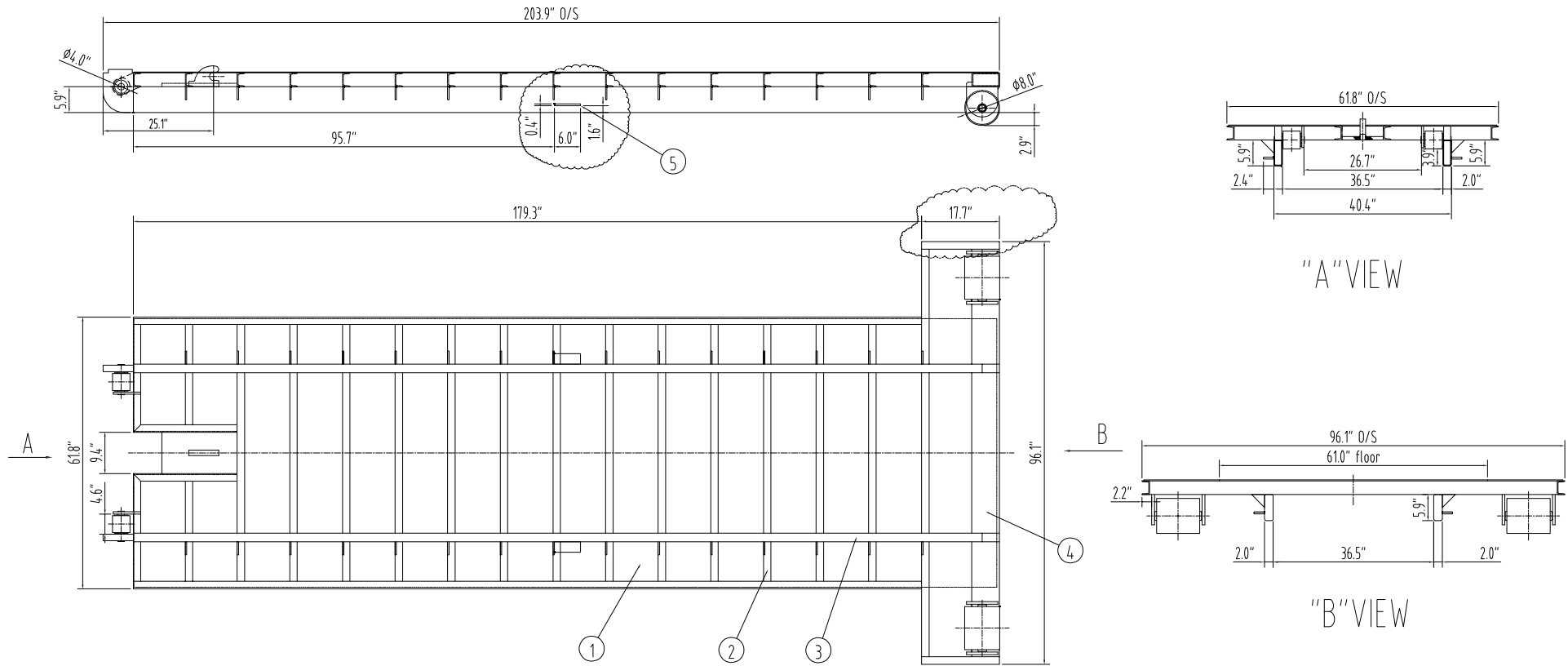
DRAWN	RHQ
DATE	2024.01.06
CHECKED	
APPROVED	
DESIGN ENG.	

HIWASTE, MFG

160G Ahui St.
 Honolulu, HI 96813
 (808) 478-2613
 info@hiwastemfg.com
 www.hiwastemfg.com

CONFIDENTIAL PROPERTY OF HIWASTE MFG. THIS DRAWING AND ALL OF THE INFORMATION CONTAINED HEREIN IS THE SOLE PROPERTY OF HIWASTE MFG. AND IS ONLY TO BE VIEWED, COPIED, SHARED OR TRANSMITTED BY AUTHORIZED PARTIES.

DRAWING NO.		REVISION
		0
SCALE	SHEET NO	
NTS	1 of 1	A3
FILENAME		
20CY ROLL-OFF CONTAINER		



5	Limit plate(lock) 10mm		Q235			
4	RHS 160x80x5		Q235		DRAWN	RHQ
3	RHS 150x50x5		Q235		DATE	2024.01.08
2	PFC 80x43		Q235		CHECKED	
1	Floor 5mm		Q235		APPROVED	
ITEM	DESCRIPTION	LENGTH	MATERIAL	QTY	DESIGN ENG.	

HIWASTE, MFG
 CONFIDENTIAL PROPERTY OF HW M
 THIS DRAWING AND ALL OF THE INFORMATION
 CONTAINED HEREIN IS THE SOLE PROPERTY OF
 HIWASTE MFG. AND IS ONLY TO BE VIEWED, COPIED,
 SHARED OR TRANSMITTED BY AUTHORIZED PARTIES.

160G Ahui St.
 Honolulu, HI 96813
 (808) 478-2613
 info@hiwastemfg.com
 www.hiwastemfg.com

Floor		REVISION
		0
SCALE	SHEET NO	A3
NTS	1 of 1	
FILENAME		
20CY ROLL-OFF CONTAINER		