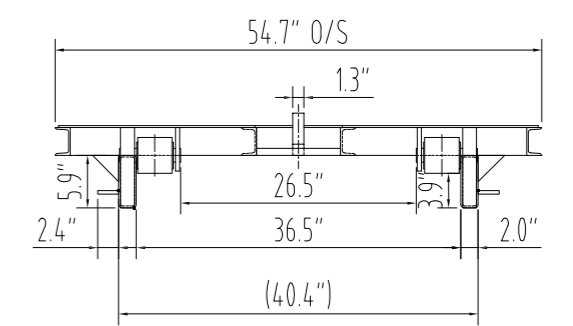
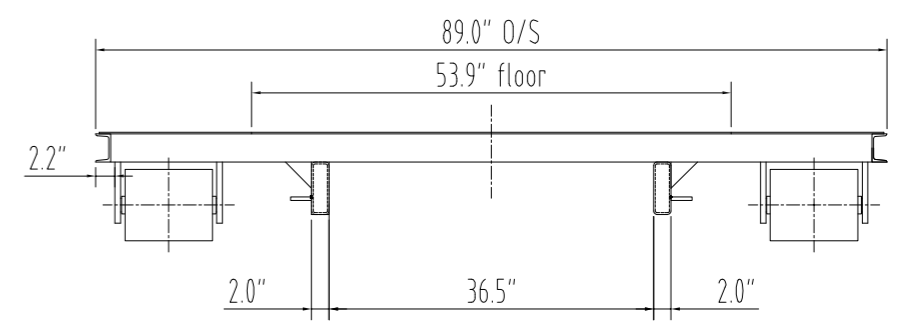
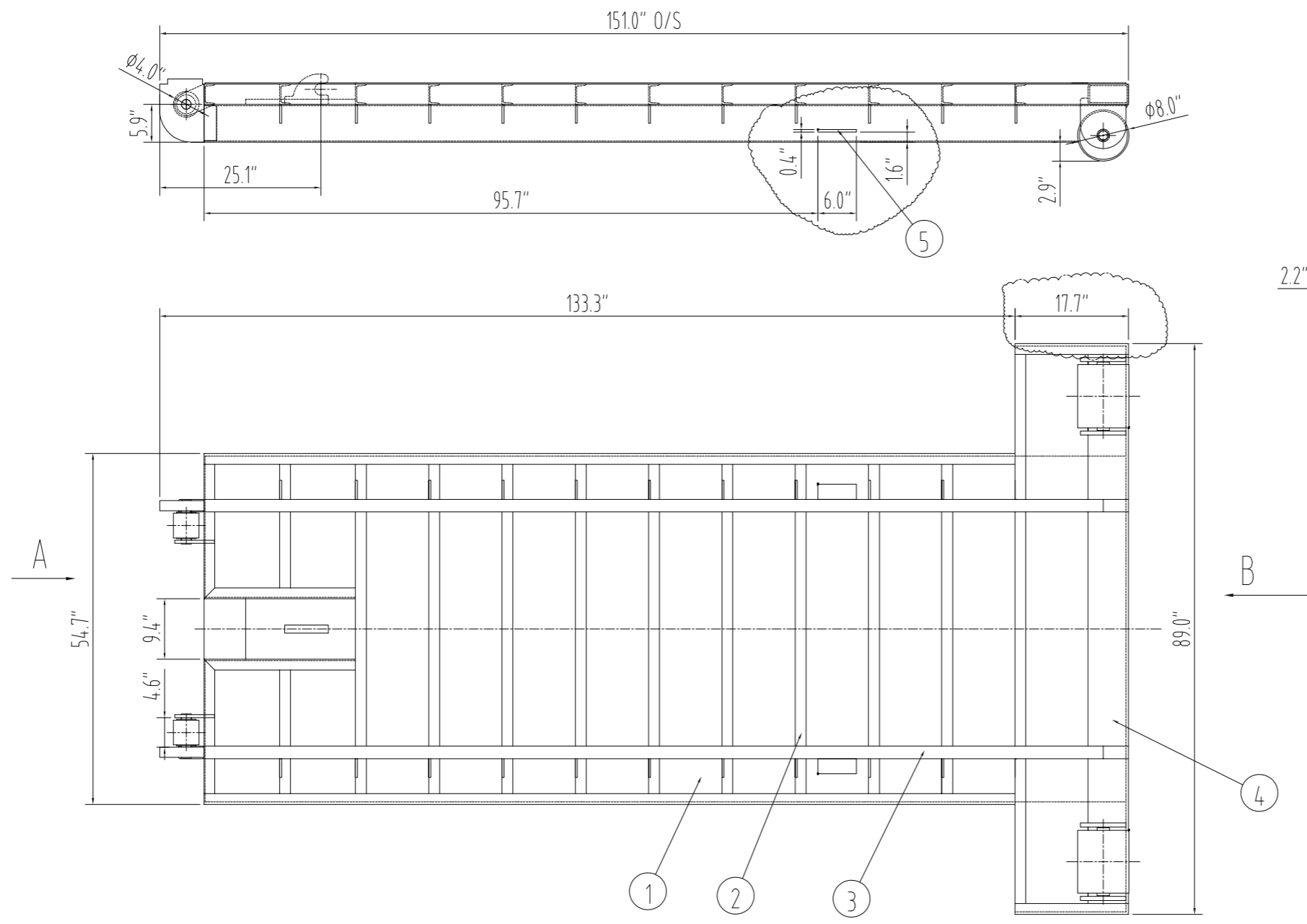


10	door frame	RHS 100x80x4		Q235	
9	top rail	RHS 100x80x5		Q235	
8	front frame	RHS 150x50x5		Q235	
7	corner post	RHS 160x80x5		Q235	
6	cross member	PFC 80x43		Q235	
5	bottom rail	RHS 150x50x5		Q235	
ITEM	DESCRIPTION	LENGTH	MATERIAL	QTY	

4	door wall	4mm		Q235	
3	front wall	4mm		Q235	
2	side walls	5mm		Q235	
1	floor	5mm		Q235	
ITEM	DESCRIPTION	LENGTH	MATERIAL	QTY	

DRAWN		RHQ		HIWASTE, MFG 160G Ahui St. Honolulu, HI 96813 (808) 478-2613 info@hiwastemfg.com www.hiwastemfg.com		DRAWING NO.		REVISION	
DATE		2024.01.06				HK100-048A		0	
CHECKED						SCALE		SHEET NO	
APPROVED						NTS		1 of 1	
DESIGN ENG.				FILENAME		15CY ROLL-OFF CONTAINER			

CONFIDENTIAL PROPERTY OF HWM
 THIS DRAWING AND ALL OF THE INFORMATION
 CONTAINED HEREIN IS THE SOLE PROPERTY OF
 HIWASTE MFG. AND IS ONLY TO BE VIEWED, COPIED,
 SHARED OR TRANSMITTED BY AUTHORIZED PARTIES.



5	Limit plate(lock) 10mm		Q235	
4	RHS 160x80x5		Q235	
3	RHS 150x50x5		Q235	
2	PFC 80x43		Q235	
1	Floor 5mm		Q235	
ITEM	DESCRIPTION	LENGTH	MATERIAL	QTY

DRAWN	RHQ
DATE	2024.01.06
CHECKED	
APPROVED	
DESIGN ENG.	

HIWASTE, MFG

160G Ahui St.
 Honolulu, HI 96813
 (808) 478-2613
 info@hiwastemfg.com
 www.hiwastemfg.com

CONFIDENTIAL PROPERTY OF HWM
 THIS DRAWING AND ALL OF THE INFORMATION
 CONTAINED HEREIN IS THE SOLE PROPERTY OF
 HIWASTE MFG. AND IS ONLY TO BE VIEWED, COPIED,
 SHARED OR TRANSMITTED BY AUTHORIZED PARTIES.

Floor		REVISION
		0
SCALE	SHEET NO	
NTS	1 of 1	A3
FILENAME		
15CY ROLL-OFF CONTAINER		